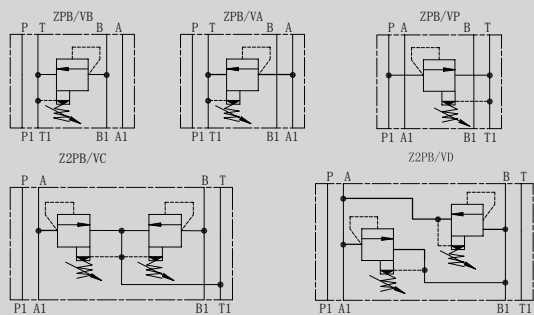


ZPB/Z2PB型叠加式溢流阀

ZPB/Z2PB SERIES
 MODULAR RELIEF VALVES

符号 SYMBOL



ZPB/Z2PB型压力控制阀是叠加板结构的先导式溢流阀。

Pressure relief valves of ZPB/Z2PB series are pilot operated style modular valves.

技术参数 Technical data

通径 Size	6	10
工作压力(MPa) Operating pressure (MPa)	31.5	31.5
流量(L/min) Flow rate (L/min)	60	100
油温范围(°C) Oil temperature range(°C)	-20 ~ 70	-20 ~ 70
重量(千克) Weight(KGS)	ZPB: 1.3 Z2PB: 1.9	2.6 3.1
阀体(材料)表面处理 Valve body (Material) Surface treatment	铸件 表面磷化处理 casting phosphating surface	
油液清洁度/Oil cleanliness	NAS1638 9级和ISO4406 20/18/15级 NAS1638 class 9 and ISO4406 class 20/18/15	

Z 2 PB 6 VA 1 40 315 V *

叠加式
 Modular type

无=单溢流阀(只有VA,VB,VP)
 2=双溢流阀(只有VC,VD)
 No code=Single relief cartridge
 (Only for VA,VB,VP)
 2=Two relief cartridges
 (Only for VC,VD)

型号
 Model

通径:6;10
 Size:6;10

溢流方向 Relief from

VA:A→T
 VB:B→T
 VP:P→T
 VC:A→T B→T
 VD:A→B B→A

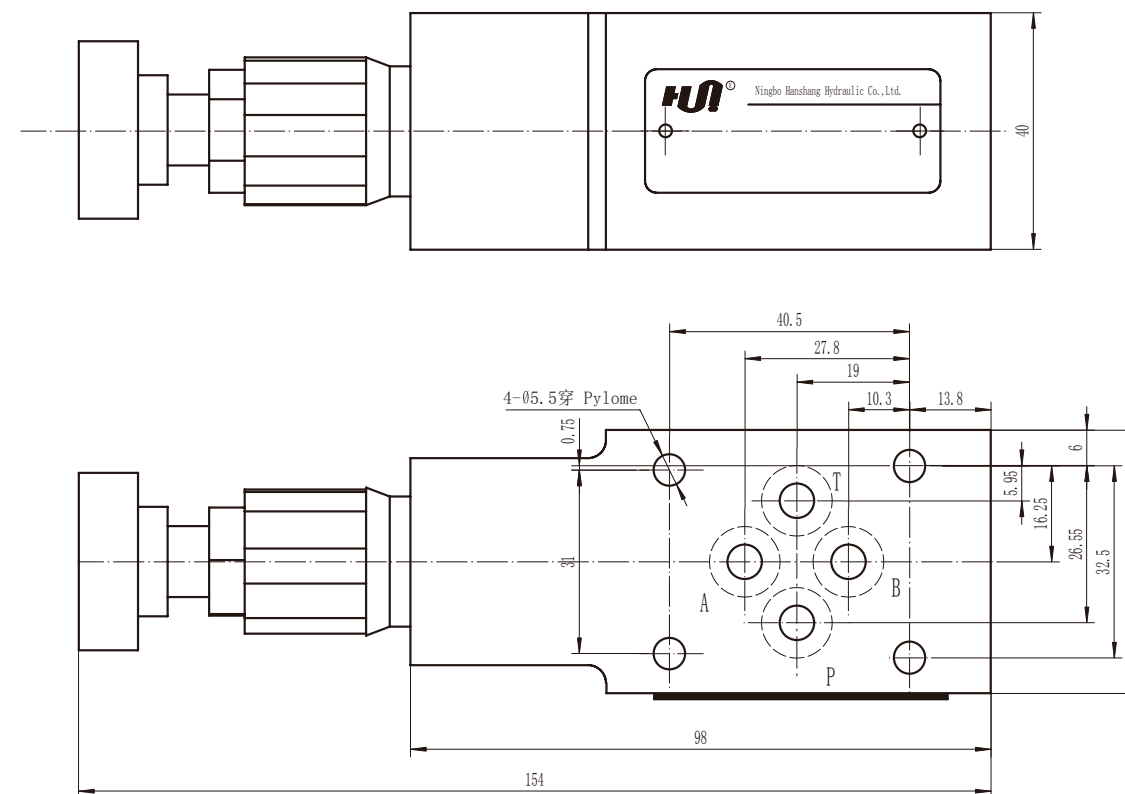
附加说明
 For further details

无=丁腈橡胶
 V=氟橡胶
 No code=NBR seals for petroleum oils
 V=FPM seals for phosphate ester
 Pressure range 压力等级
 50 = 5Mpa
 100 = 10Mpa
 200 = 20Mpa
 315 = 31.5Mpa

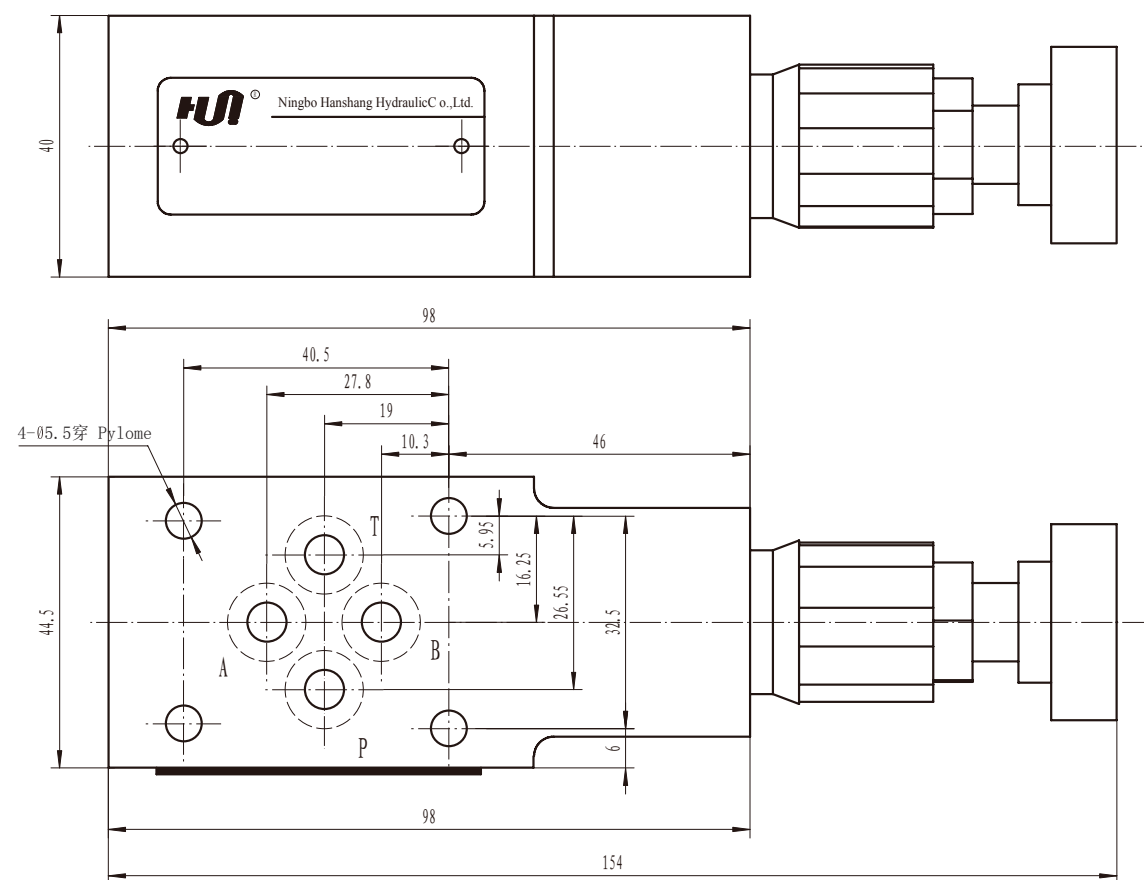
系列号
 Series number

1=手柄
 1=handwheel

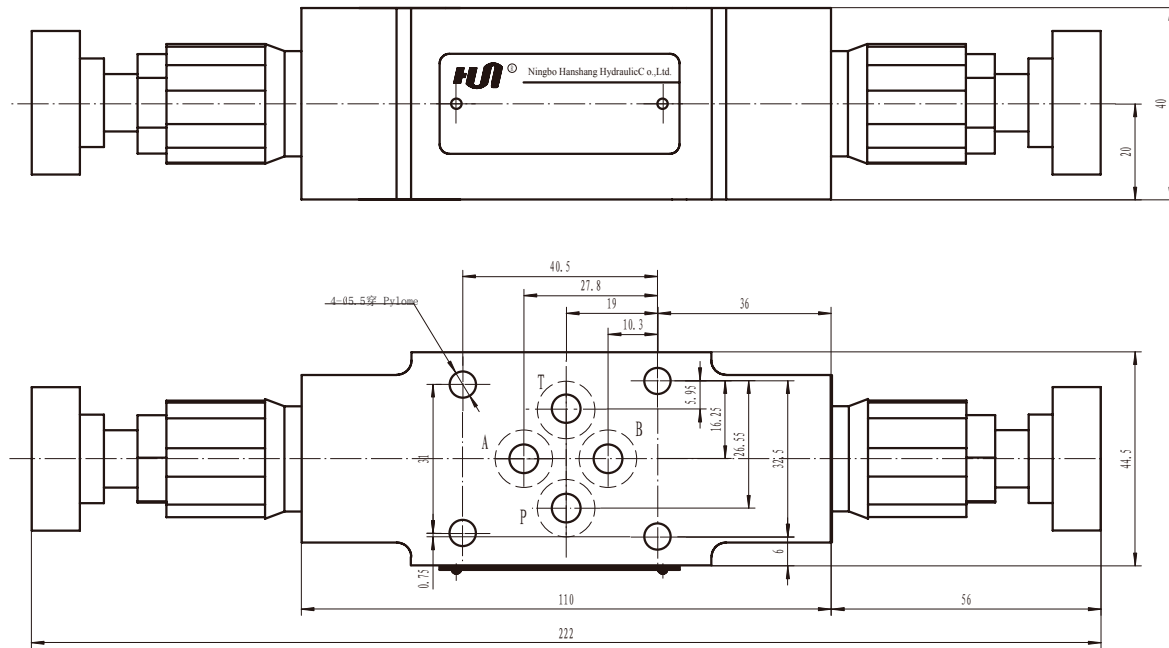
ZPB6VA外形尺寸和安装 ZPB6VA External Dimensions and Fittings



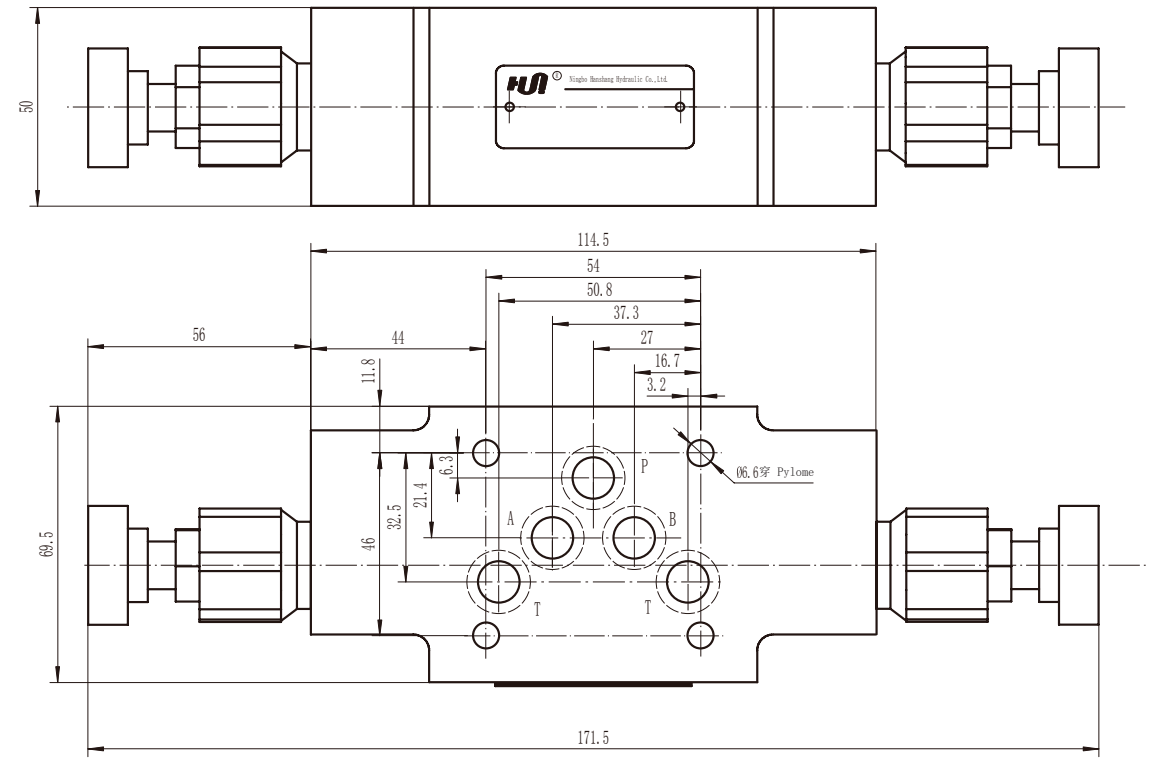
ZPB6VP VB外形尺寸和安装 ZPB6VP VB External Dimensions and Fittings



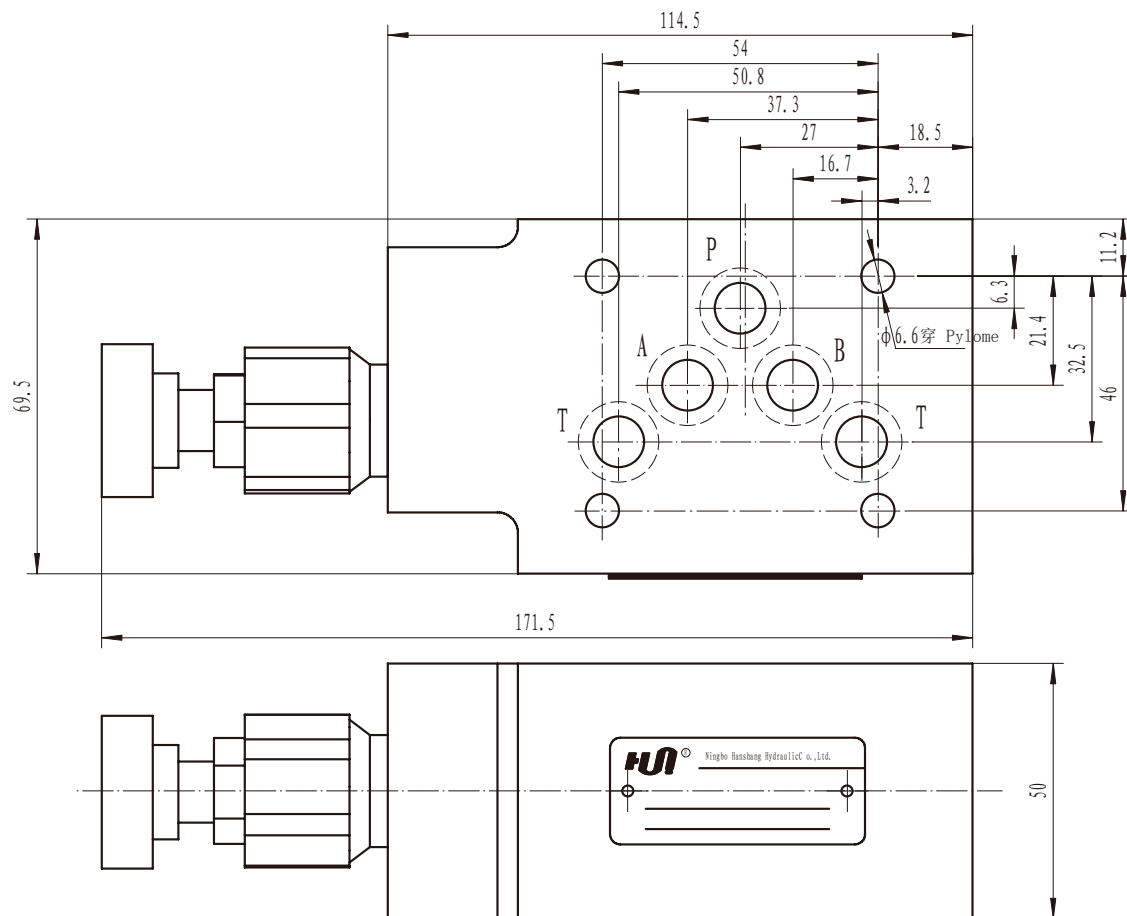
Z2PB6VC VD外形尺寸和安装 Z2PB6VC VD External Dimensions and Fittings



Z2PB10VC VD外形尺寸和安装 Z2PB10VC VD External Dimensions and Fittings



ZPB10VA外形尺寸和安装 ZPB10VA External Dimensions and Fittings



ZPB10VP VB外形尺寸和安装 ZPB10VP VB External Dimensions and Fittings

